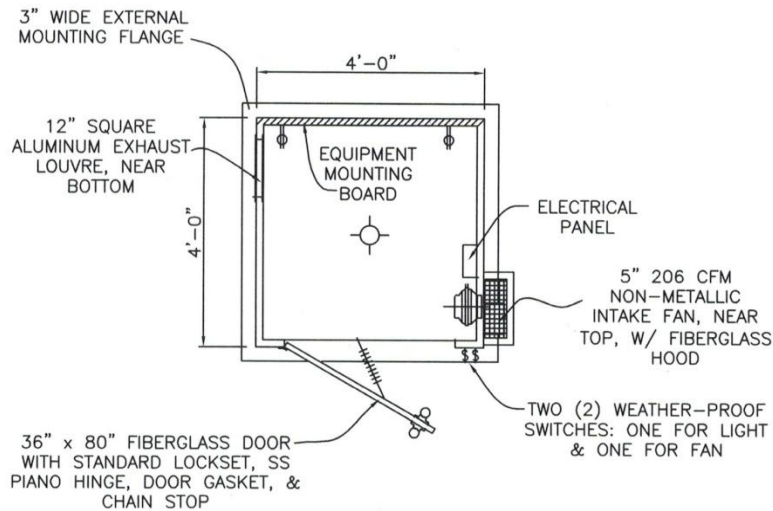
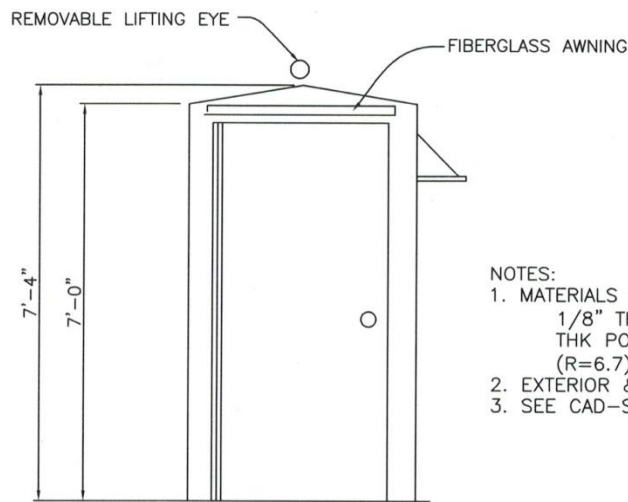


# Fiberglass Shelter

Standard Drawing  
Model # GTI-SH-4848  
(4' x 4')



FLOOR PLAN



ELEVATION

- NOTES:
- MATERIALS OF CONSTRUCTION:  
1/8" THK FIBERGLASS SKINS W/1" THK POLYISOCYANURATE FOAM (R=6.7) INSULATION CORE.
  - EXTERIOR & INTERIOR WHITE GEL COAT.
  - SEE CAD-Std Panel FOR ELECTRICAL PANEL.