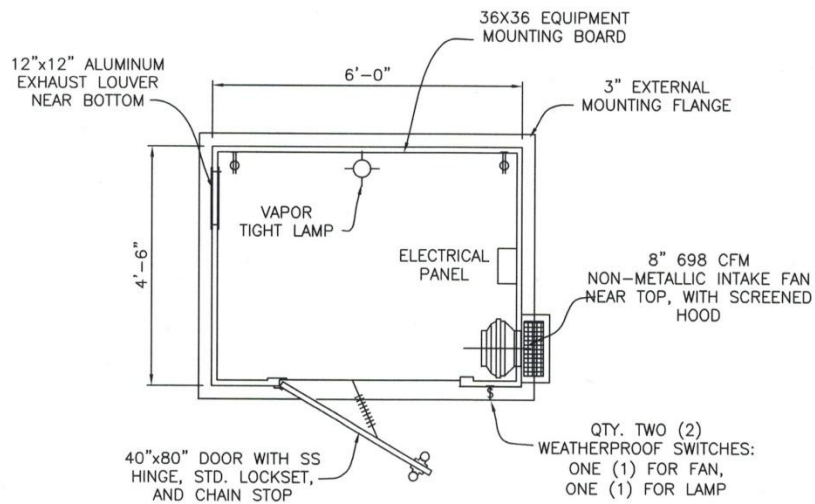
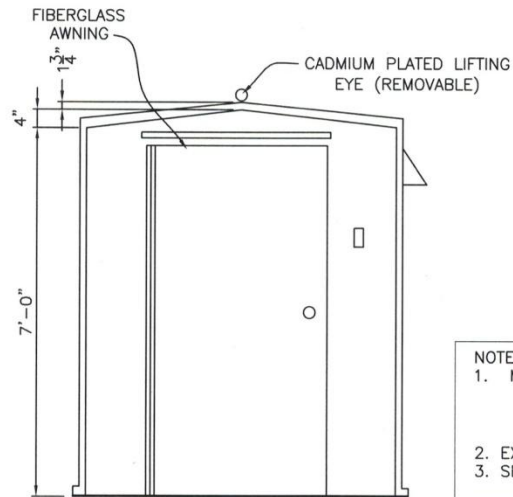


Fiberglass Shelter

Standard Drawing
Model # GTI-SH-5472
(4' 6" x 6')



PLAN



- NOTES:
- MATERIALS OF CONSTRUCTION:
1/8" THK FIBERGLASS SKINS W/1" THK POLYISOCYANURATE FOAM (R=6.7) INSULATION CORE.
 - EXTERIOR & INTERIOR WHITE GEL COAT.
 - SEE CAD-Std Panel FOR ELECTRICAL PANEL DETAIL.

ELEVATION