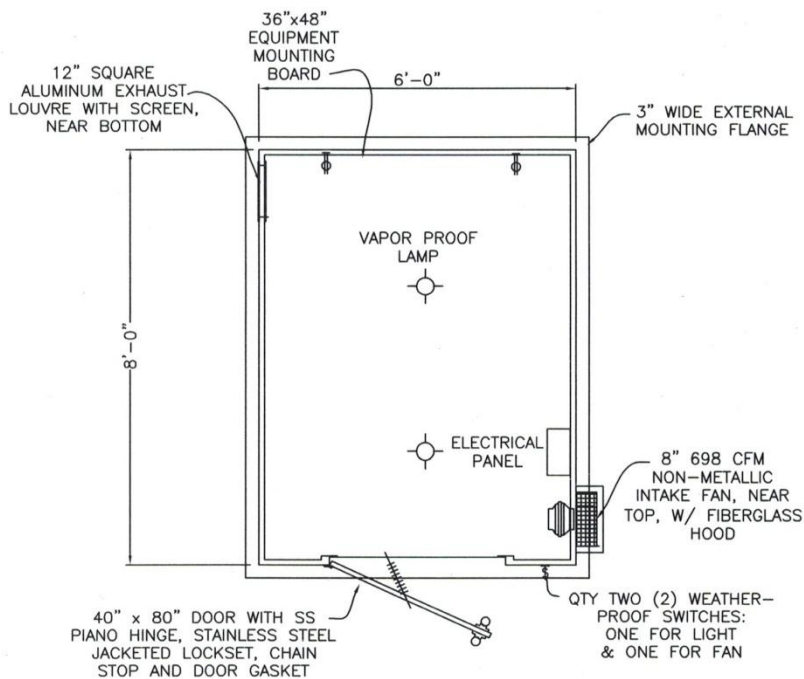


Fiberglass Shelter

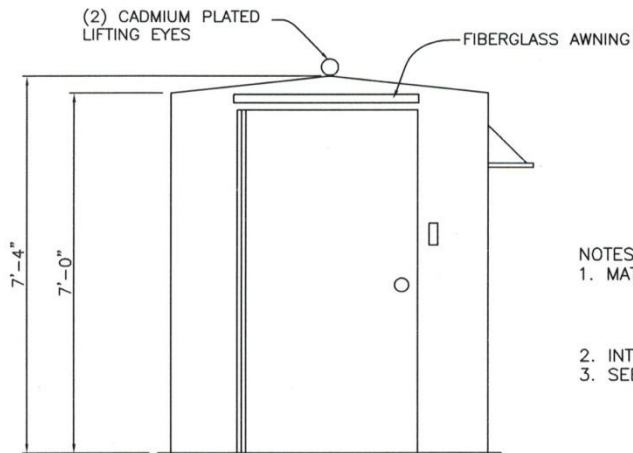
Standard Drawing

Model # GTI-SH-9672

(8' x 6')



FLOOR PLAN



ELEVATION

- NOTES:
- MATERIALS OF CONSTRUCTION:
1/8" THK FIBERGLASS SKINS W/1" THK POLYISOCYANURATE FOAM (R=6.7) INSULATION CORE.
 - INTERIOR & EXTERIOR WHITE GEL COAT.
 - SEE CAD-PANEL FOR ELECTRICAL PANEL.